



I Application

The reduced ball valve is an affordable cut-off valve specifically designed for the wine-making industry. It is recommended for installation in fermentation tanks. It can also be used in any process in which the standard ball valve is used.

I Operating principle

Due to the third hole in the ball, the product inside the valve is always in contact with the product in the installation.

The valve can be completely drained through the drain ports.

I Design and features

No maintenance required.

Smaller weight and size than the rest of the valves available on the market.

Reduced operating torque.

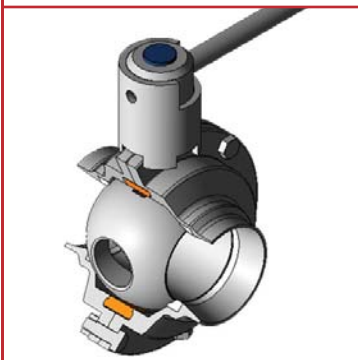
"Always full" valve.

Drainable valve.

Gaskets according to FDA 177.2600.

The handle can be fitted to either side of the valve irrespectively of flow direction.

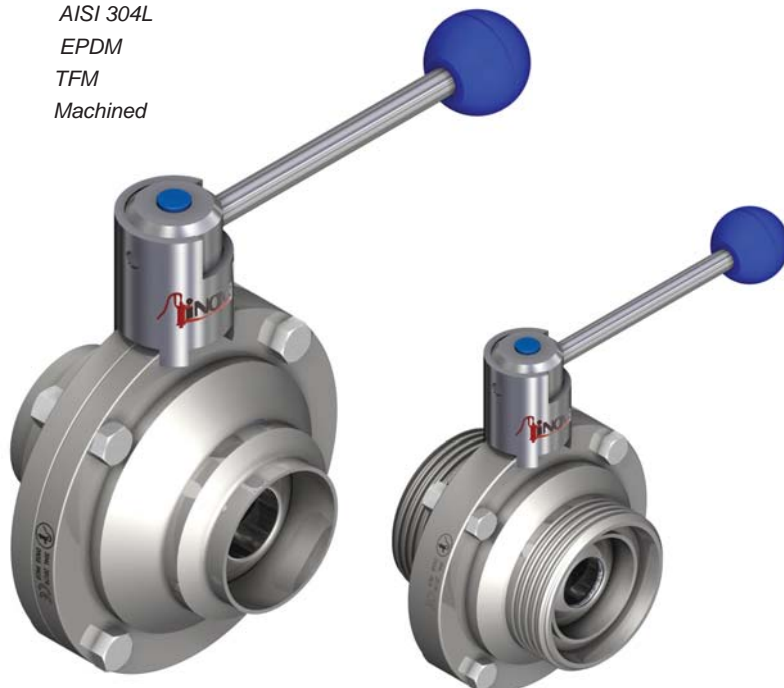
Half-bodies interchangeable with any connection type without variation in the total length of the valve.



Standard connections DIN 11851
 Available diameters DN 40 to DN 80

I Materials

Metal parts AISI 304L
 Gasket EPDM
 Ball seat TFM
 Surface finish Machined



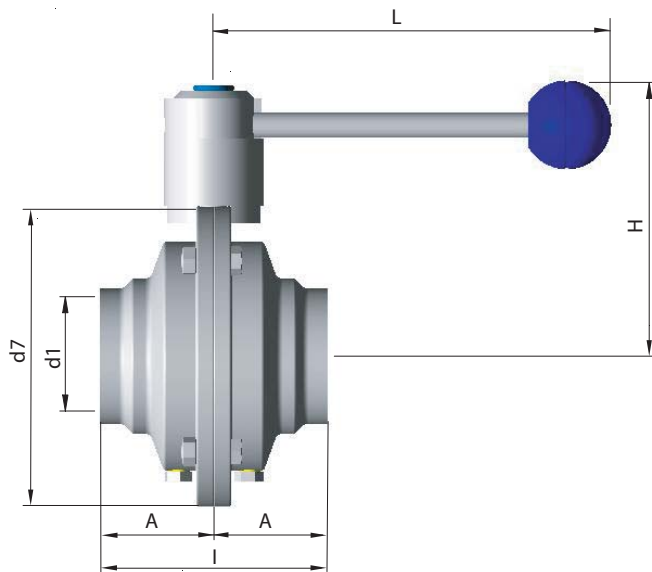
I Options

Connections: *FIL-IDF, BS-RJT, SMS, Clamp, flanges, Macon, Garolla, etc.*
 Other gasket materials (NBR).
 Proximity switches (open/closed).
 Safety handle with lock.



I Technical specifications

Max. temperature 121 °C (EPDM)
 Max. operating pressure 6 bar.



DIN	DN	d1	d7	A	I	H	L	AISI 304L
	40	38	105	40	80	100	150	64600040DEB
	50	50	118	45	90	106	150	64600050DEB
	65	66	142	53	106	118	180	64600065DEB
	80	81	160	62	124	132	250	64600080DEB

INCHES	DN	d1	d7	A	I	H	L	AISI 304L
	1 ½"	34,8	105	40	80	100	150	64600112DEB
	2"	47,5	118	45	90	106	150	64600200DEB
	2 ½"	60,2	142	53	106	118	180	64600212DEB
	3"	72,9	149	60	120	122	180	64600300DEB



The information contained in this brochure is for guidance only. We reserve the right to modify any material or feature without notice in advance. For further information, please, consult our web site. www.inoxpa.com



FireBall/Valve. 1.EN-0304