



### I Application

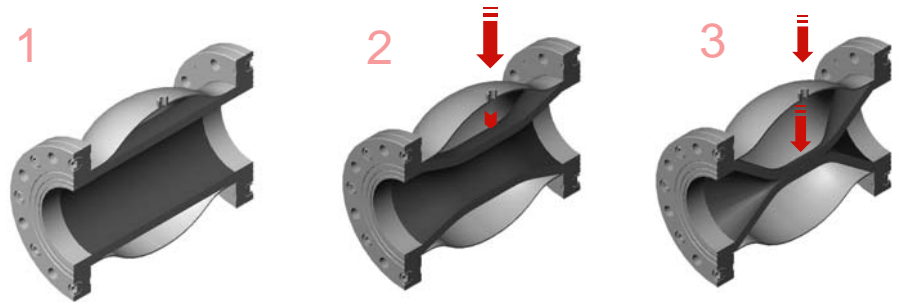
The flexible hose valve is a pneumatically actuated full bore valve. It presents the best solution for the transfer of liquids with solids in suspension, fibers, etc. that might be trapped blocking the valve in case another valve type is used. También es ideal en aplicaciones donde se desea un buen trato del producto y unas mínimas turbulencias. It is widely used in applications requiring the delicate treatment of the product and minimum turbulences.

### I Operating principle

The liquid passes through the flexible hose housed inside the casing that acts as support and actuator.

The hose provides sealing and separates the product from the valve casing. The air is injected into the casing, it compresses the hose and cuts the flow of the product.

The air pressure, required to keep the valve closed, is between 1 and 2 bar higher than the product pressure inside the hose.



### I Design and features

- Pneumatically operated NO valve.*
- Full bore design, no pressure losses.*
- Easy cleaning.*
- Easy replacement of the hose.*
- Robust construction.*
- Optimum sealing for product with solids, fibers, etc.*

Standard connections: Male DIN 11851

Standard diameters: DN 50 - DN150

### I Materials

Parts in contact with the product: AISI 316L / 304L

Other parts: AISI 304

Manguito flexible: EPDM according to FDA 177.2600

Acabado superficial: mirror polish

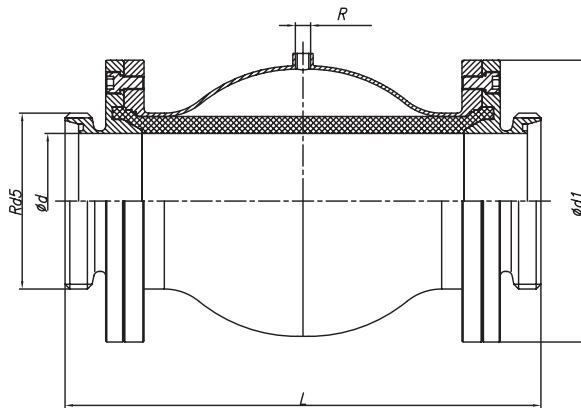


**I Options**

Other connections: Flanges DIN 2632 PN10,  
 Garolla, FIL-IDF, BS-RJT, SMS, Clamp, Macon.  
 Natural rubber hose (NR).  
 Surface finishes: satin, electropolish, etc.  
 Valve manifolds.  
 Automation.

**I Technical specifications**

Max. temperature 120°C (EPDM)  
 Max. working pressure 4 bar  
 Max. compressed air pressure 6 bar  
 Max. differential pressure 1.5 - 2 bar



DN	d	d1	Rd5	L	R
10	10	40	28x1/8"	116	1/8"
15	16	44	34x1/8"	120	1/8"
20	20	55	44x1/6"	130	1/8"
25	26	68	52x1/6"	148	1/8"
32	32	75	58x1/6"	170	1/8"
40	38	90	65x1/6"	180	1/8"

DN	d	d1	Rd5	L	R
50	50	164	78x1/6"	225	1/4"
65	66	184	95x1/6"	250	1/4"
80	81	199	110x1/4"	305	1/4"
100	100	219	130x1/4"	370	1/4"
125	125	226	160x1/4"	420	1/4"
150	150	284	190x1/4"	505	1/4"



The information contained in this brochure is for guidance only. We reserve the right to modify any information or feature without notice in advance.  
 For further information, please, consult our web site. [www.inoxpa.com](http://www.inoxpa.com)



FT-PINCH.1-EN-1207