

CPG

Side Entry Agitator



APPLICATION

For the winemaking industry.
Maintenance of solids in suspension.
Coupage (wine blending).
Gasification (SO₂ and CO₂).
Temperature homogenisation.

OPERATING PRINCIPLE

The design of the agitator is based on the shaft that slides through a full bore valve into the tank and a propeller that opens automatically when started. The agitator shaft is provided with a C/StSt/EPDM mechanical seal.

DESIGN AND FEATURES

The CPG agitators are designed for installation in tanks full of product by means of a full bore valve without losing product and without special tools.
The standard mixing element is folding propeller type 12.
Electric motor 3 ph, 400 V, 50 Hz, IP 55, 1450 rpm.
Manual deaeration valve.
Standard connections DIN 11851.
CLAMP OD connection:
motor: 3 ph, 230 V, 460 V, 60 Hz, IP 55, 1700 rpm

OPTIONS

Valve for product injection, drainage or sampling.
Mechanical seal TuC/TuC/FPM.
Stainless steel trolley.
Control panel and protection in compliance with the EC standards.
Female connection to the motor.
Special shaft length.
Different types of connections.



20.027.32.0003

TECHNICAL SPECIFICATIONS

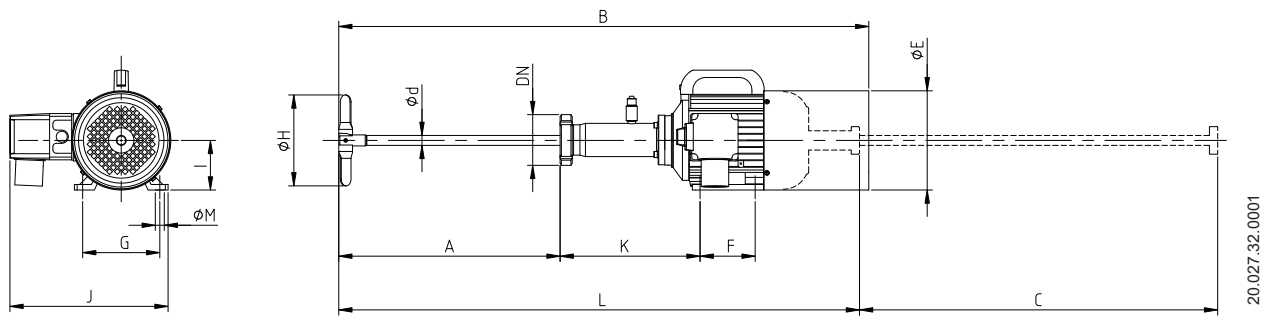
Materials

| | |
|-----------------------------------|--------------------|
| Parts in contact with the product | 1.4404 (AISI 316L) |
| Seals | EPDM |
| Mechanical seal | C/StSt/EPDM |
| Surface finish | mat |

| Model | Power [kW] | Speed [rpm] | Tank volume [m ³] | |
|----------|------------|-------------|-------------------------------|----------|
| | | | 50 Hz | 60 Hz |
| CPG-211A | 1,1 | 1400 / 1700 | 0 - 20 | 0 - 50 |
| CPG-211B | 1,1 | 1400 | 25 - 50 | - |
| CPG-330 | 3 | 1400 / 1700 | 50 - 100 | 50 - 100 |

DIMENSIONS

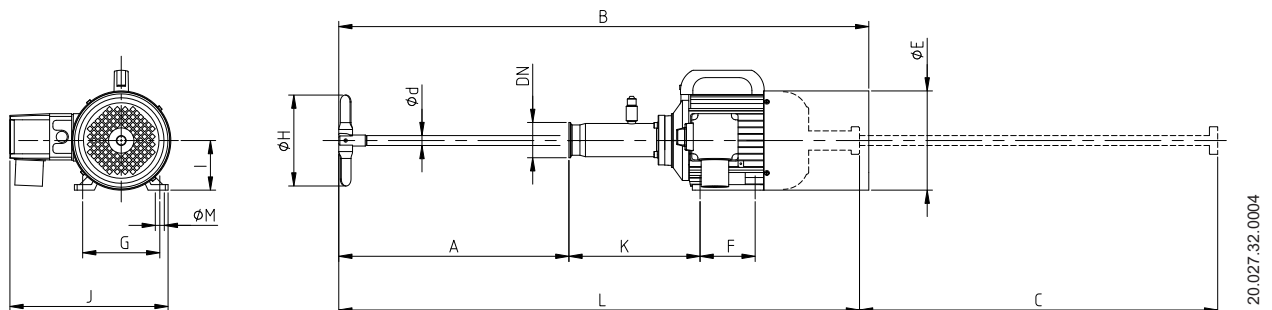
DIN NUT - 50 Hz



| Model | A | B | C | ØDN | Ød | ØE | F | G | ØH | I | J | K | L | Weight (kg) |
|----------|-----|------|-----|-----|----|-----|-----|-----|-----|-----|-----|-----|------|-------------|
| CPG-211A | 425 | 960 | 495 | 50 | 18 | 180 | 100 | 140 | 155 | 90 | 290 | 246 | 950 | 19 |
| CPG-211B | 425 | 960 | 495 | 50 | 18 | 180 | 100 | 140 | 166 | 90 | 290 | 246 | 950 | 19 |
| CPG-330 | 465 | 1175 | 580 | 65 | 25 | 200 | 140 | 160 | 200 | 100 | 320 | 298 | 1145 | 42 |

Dimensions in mm

CLAMP OD - 60 Hz



| Model | A | B | C | ØDN | Ød | ØE | F | G | ØH | I | J | K | L | Weight (kg) |
|----------|-----|------|-----|-----|----|-----|-----|-----|-----|-----|-----|-----|------|-------------|
| CPG-211A | 430 | 960 | 495 | 2" | 18 | 180 | 100 | 140 | 155 | 90 | 290 | 239 | 950 | 19 |
| CPG-330 | 470 | 1175 | 580 | 3" | 25 | 200 | 140 | 160 | 190 | 100 | 320 | 295 | 1145 | 42 |

Dimensions in mm