

**I Application**

The PBC series agitators are vertical direct motor-driven agitators with clamp. They can be used in processes of mixing, dissolution, dispersion, and maintenance whenever powerful and high-speed agitation is required in the food processing, cosmetics, pharmaceutical or chemical industries.

The agitators can be fitted to small tanks of up to 1,500 liters for work with low-viscosity products.

**I Operating principle**

These agitators are fixed to the wall of the tank by means of a clamp, thanks to the joint, they can be inclined to the required position.

The rotation of the propeller makes the fluid flow to the bottom of the tank and then up to the surface of the fluid along the tank wall opposite to the wall to which the agitator is fitted. This effect is promoted if the bottom of the tank is curved.

**I Design and features**

Agitator with clamp.

Retainer.

Bearing support.

Propeller attached to shaft and shaft attached to half-shaft by Allen setbolts.

IEC B14 motors, 1500 rpm, IP 55, F-class insulation.

Maximum power 0,75 kW.

Lineflux propeller (Type 18).



**I Materials**

Parts in contact with the media      AISI 316L

Retainer      NBR

Bearing support      Aluminum

**I Options**

Retainer in FPM.

One-piece shaft.

Shaft and propeller lined with plastic material for use with corrosive products.

Welded propeller with Ra ≤ 0,5 µm surface finish.

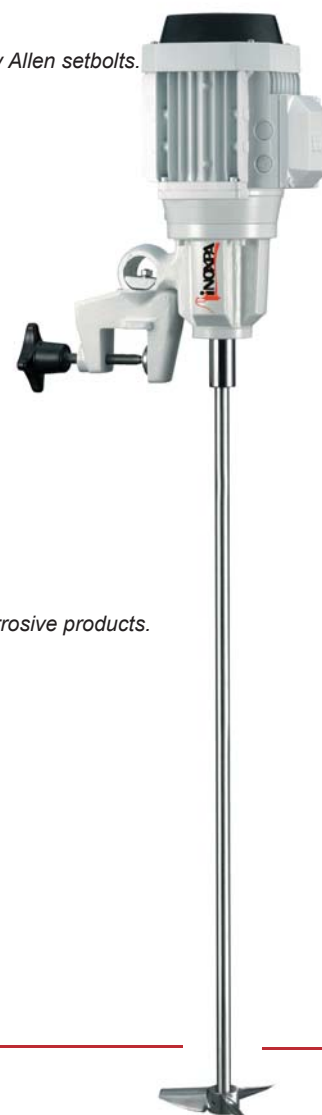
Motor shroud.

Motors with other protections.

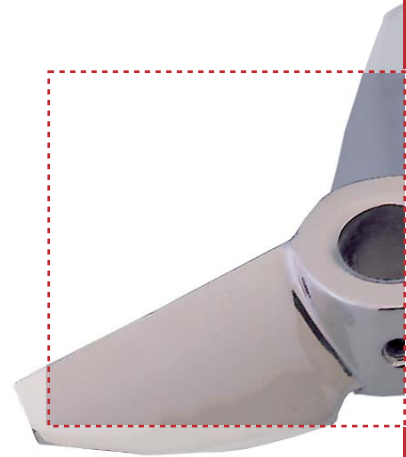
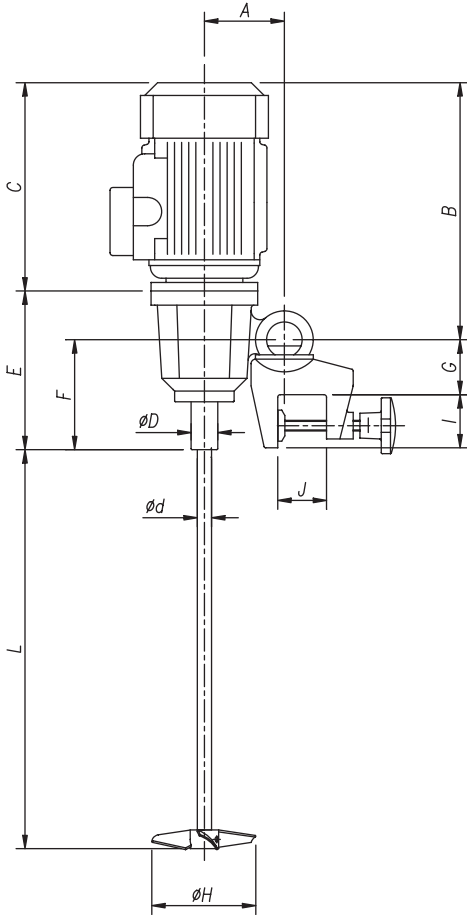
Motors: 950 rpm or 750 rpm.

Geared motors or variable speed drives.

Pneumatic drive.



I Technical specifications and dimensions



AGITATOR TYPE		PBC 1.18-4007-1-100	PBC 1.18-4007-1-130	PBC 1.18-4007-1-150	PBC 1.18-6005-1-130	PBC 1.18-6005-1-150	
Motor power	[kW]	0,75			0,55		
Speed	[rpm]	1415			940		
Volume [H <sub>2</sub> O]	[m <sup>3</sup> ]	0,1 0,6	0,2 0,8	0,4 1,5	0,1 0,7	0,15 1	
Dimensions	A	90					
	B	290					
	C	234					
	$\varnothing D$	30					
	E	180					
	F	124					
	G	55					
	I	60					
J max.	45						
Agitator shaft	$\varnothing d$	16					
	L max.	1250					
Lineflux propeller	$\varnothing H$	[mm]	100	130	150	130	150
Weight	[kg]	16			16,5		

