



### I Application

Ball valves, whether manually or automatically operated, are used mainly with viscous fluids containing solid particles, and, generally, in applications requiring an unobstructed flow. Suitable for the food-processing, beverage, wine-making, oil-making, cosmetic and chemical industries.

### I Operating principle

The ball valve can be operated automatically with an actuator or manually with a handle. The handle blocks the valve in the "open" or "closed" position. The actuator transforms the axial movement of the piston into a 90° rotary movement which it transmits to the ball.

### I Design and features

Compact and robust design.  
Available in sizes DN 25/1" to DN 100/4".  
Two-position handle.  
Easily interchangeable manual handles and pneumatic or electrical actuators.  
Low pressure losses.  
Half-bodies exchangeable with any connection type.  
DIN 11851 connections.  
Marking of seals allows traceability.

### I Materials

Ball	AISI 316L / 316
Flanges	AISI 316L / 316 (forged)
Gasket	EPDM according to FDA 177.2600
Handle	AISI 304 / PP
Surface finish	Hygienic polish

### I Options

Valve in AISI 304.  
Seals in NBR, VMQ or FPM.  
All of them according to FDA 177.2600  
Connections: welding, DIN, Clamp, SMS, RJT, FIL-IDF, etc.  
Handle, lever, safety handle with lock, etc.  
Single- or double-acting pneumatic actuator or electrical actuator.  
Position sensors (micro-switches or inductive).  
C-TOP control head.  
Cleaning and drainage connections.  
Third hole.



Horizontal actuator

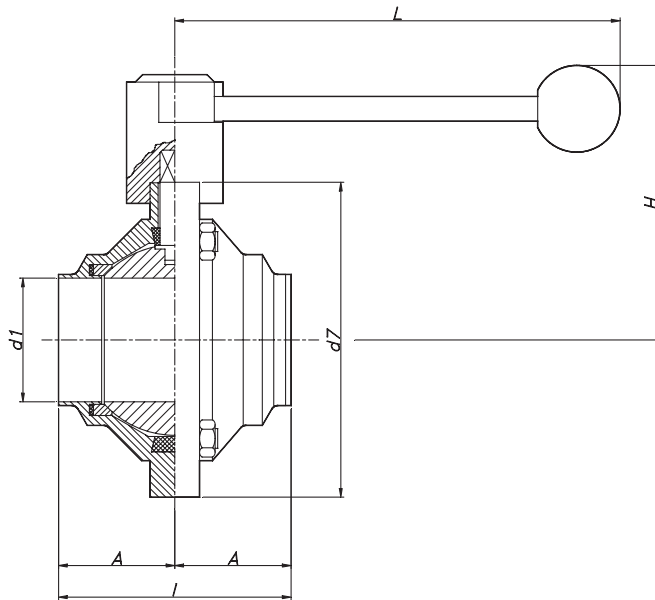
Third hole

**I Technical specifications**

Max.pressure 10 bar (DN 25 - 65 / DN 1" - 2 1/2")  
 8 bar (DN 80 - 100 / DN 3" - 4")  
 Working temperature -10 °C to +120 °C (EPDM)



Operating torque (N.m.)	25 - 1"	40 - 1 1/2"	50 - 2"	2 1/2"	65	3"	80	100 - 4"
	8	10	14	15	18	18	20	25



DN	d1	d7	A	I	H	L	AISI 316L/316
25	26	94	36	72	95	150	26400025EB
40	38	114	42	84	104	150	26400040EB
50	50	131	49	98	112	150	26400050EB
65	66	158	60	120	126	180	26400065EB
80	81	181	70	140	142	250	26400080EB
100	100	209	82	164	156	250	26400100EB

DN	d1	d7	A	I	H	L	AISI 316L/316
1"	22,1	94	36	72	95	150	26400010EB
1 1/2"	34,9	114	42	84	104	150	26400112EB
2"	47,6	131	49	98	112	150	26400200EB
2 1/2"	60,3	158	60	120	126	180	26400212EB
3"	72,9	181	70	140	142	250	26400300EB
4"	97,4	209	82	164	156	250	26400400EB

