

# INNOVA F

## Tank Bottom Single Seat Valve



### APPLICATION

The INNOVA F valve is a shut-off single seat valve designed specifically for installation at the tank bottom for use in hygienic applications.

### DESIGN AND FEATURES

- More compact space-saving design.
- Specific body with a welded flange.
- 45° elbow outlet to enable welding.
- Opening towards the inside of the valve.
- Radial type seal design.
- Single-acting actuator.
- Normally closed valve.
- Open lantern allows visual inspection of shaft sealing.

### TECHNICAL SPECIFICATIONS

#### Materials

Parts in contact with the product	1.4404 (AISI 316L)
Other stainless steel parts	1.4301 (AISI 304)
Gasket in contact with the product	EPDM

#### Surface finish

Internal	Bright polish $Ra \leq 0,8 \mu m$
External	Matt

#### Available sizes

DIN EN 10357 series A (previously DIN 11850 series 2)	DN 25 - DN 100
ASTM A269/270 (corresponds to OD pipe)	OD 1" - OD 4"

#### Connections

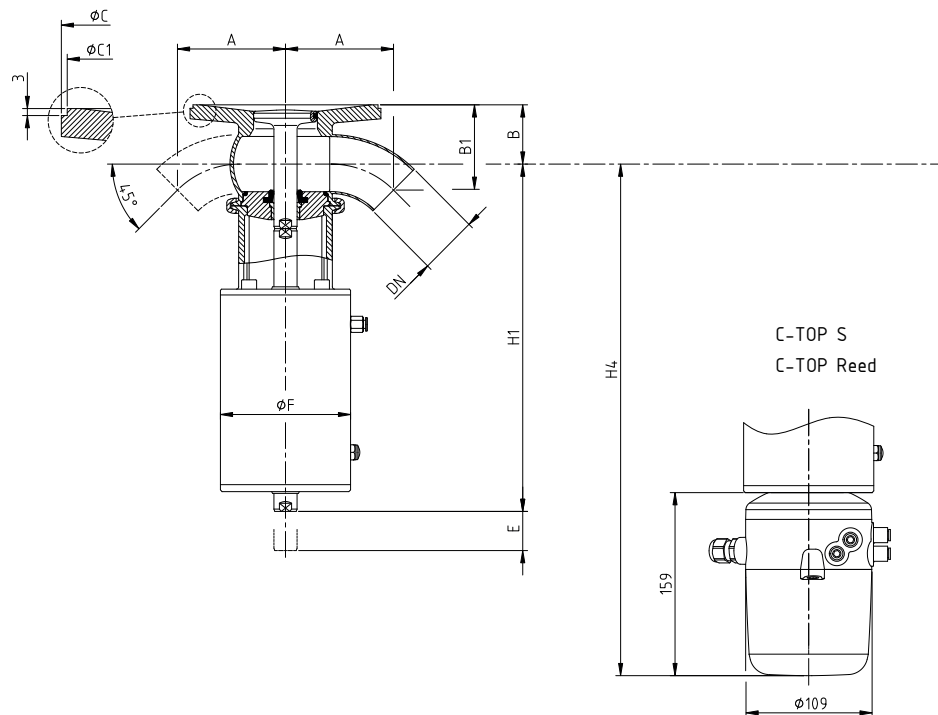
Weld

**Operating limits**

Temperature range	-10°C to 121°C	14°F to 250°F
Temperature SIP	140°C (max. 30 min)	284°F
Maximum working pressure	1000 kPa (10 bar)	145 PSI
Minimum working pressure	Vacuum	Vacuum
Compressed air pressure	6 - 8 bar	87 - 116 PSI

**OPTIONS**

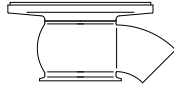
Manual actuator.  
 Gaskets: FPM, HNBR.  
 Other connection types.  
 Control unit.  
 External position sensors.  
 Surface finish: Ra < 0,5 µm.  
 Steam barrier.  
 Bodies with heating jacket.

**DIMENSIONS**

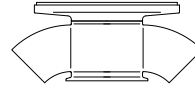
10.248.32.0030

	DN	Pipe	A	B	B1	ØC	ØC1	E	ØF	H1	H4	kg
DIN	25	29,0 x 1,50	58	41	56	125	120	27	87	228	376	5,3
	40	41,0 x 1,50	75	45	63	155	150	27	87	238	386	6,4
	50	53,0 x 1,50	90	52	73	165	160	34	112	300	442	9,4
	65	70,0 x 2,00	110	63	86	195	190	40	143	346	494	18
	80	85,0 x 2,00	122	74	100	215	210	40	143	353	501	20
OD	100	104 x 2,00	141	87	116	255	250	36	216	380	525	36
	1"	25,4 x 1,65	51	39	50	125	120	27	87	226	374	5,4
	1½"	38,1 x 1,65	73	43	60	155	150	27	87	237	388	6,5
	2"	50,8 x 1,65	93	51	73	165	160	34	112	298	443	9,5
	2½"	63,5 x 1,65	121	60	88	195	190	40	143	343	497	18
	3"	76,2 x 1,65	140	69	103	215	210	40	143	349	505	20
	4"	101,6 x 2,11	178	85	130	255	250	36	216	379	526	36

## HOUSING COMBINATIONS



L



T

10.248.32.0029